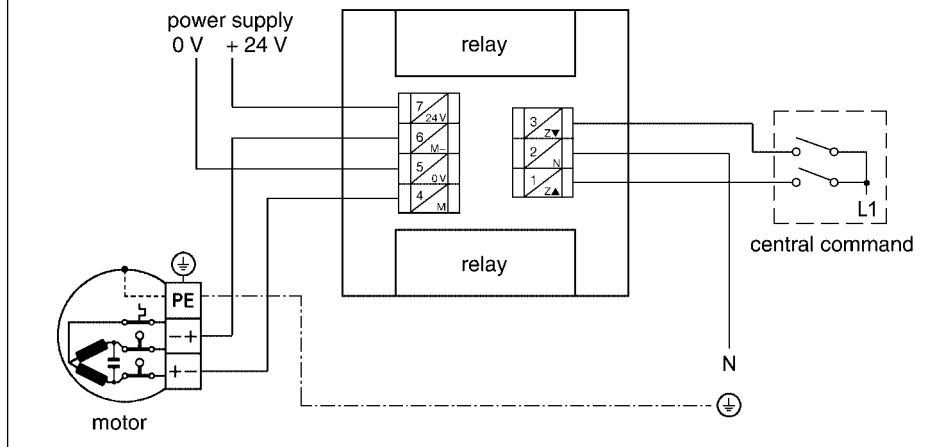


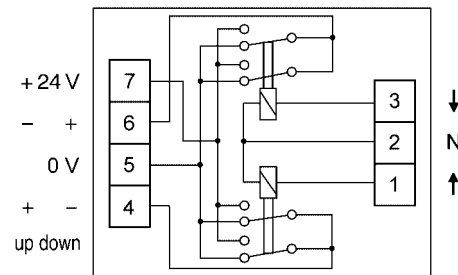
TR NM +/-

Vestamatic®

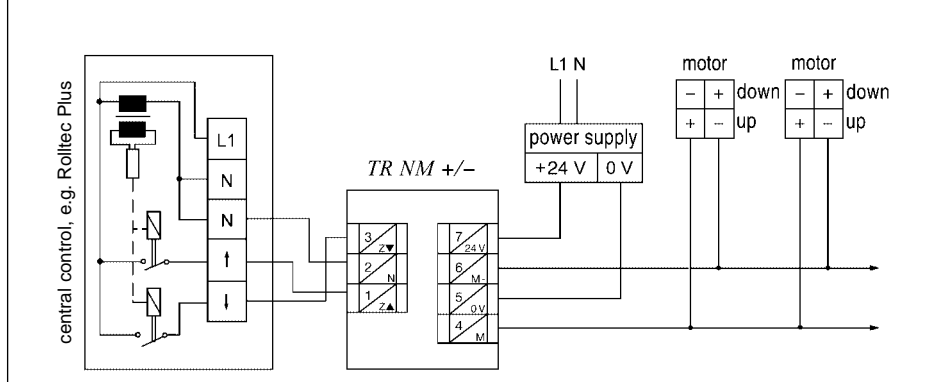
Wiring diagram isolating relay TR NM +/-



Circuit diagram



Parallel connection of several motors



Installation and Operating Instructions – Isolating Relay TR NM +/-

Installation

The isolating relay **Vestamatic** TR NM +/- is installed in a commercially available, splash-proof junction box. The junction box is attached with two screws. After the installation, the cables are to be connected according to the wiring diagram.

Attention: Currently valid VDE standards must be observed, when connecting the device, in particular DIN VDE 0100/0700 as well as the currently valid regulations of your local power company and accident prevention regulations.

Use a switchbox with a sufficiently deep terminal compartment, if the device shall be installed in a 55 mm flush-type box.

Functionality

The isolating relay **Vestamatic** TR NM +/- is used to control one or a number of DC drives. They are controlled by reversing the polarity of the direction of rotation. Individual operation of the drives is not possible! For the control, devices with a 230 V~ output are suitable.

Technical data

Control: 230 V~, 50 Hz

Switching capacity: 5 A, 24 V=

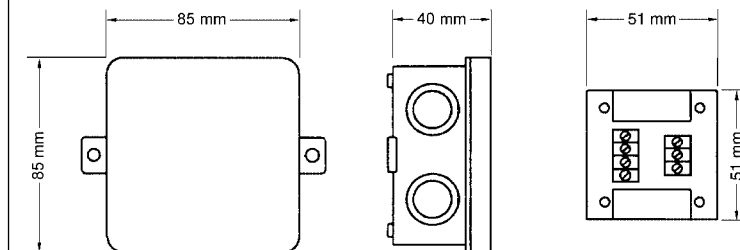
All technical data is subject to change!

Safety precautions

- Check the isolating relay immediately for any signs of damage. Do not start up the device in case there is any damage. If there is damage due to the shipping, please notify the supplier immediately.
- Please note that the isolating relay **Vestamatic** TR NM +/- requires an operating voltage of 230 V~, 50 Hz. Make sure to contact a professional electrician for the installation.
- Make sure to switch off the operating voltage before working on isolating relay, control, connected drives or sunshades.
- The isolating relay was designed for correct use as described in the operating instructions. Any changes or modifications thereof are not permissible and will result in loss of all warranty claims.

Also make sure to observe a switching break of 0.2 seconds between two commands of opposite direction.

Dimensions



Art.-Nr. 83200913 F1

